



ET-P672(H)325-340WW/WB

KEY FEATURES



Bankable products



Top rank in Photon yield measurement



Safety for salt mist corrosion
Safety for ammonia corrosion



Safety for fire risk
(Class C tested in TÜV SÜD and Rheinland)



Outstanding power output capability at low irradiance



Triple 100% Electroluminescence (EL) tests minimize breakage rate



World 1st company to pass "Thresher Test" and "On-site Power Measurement Validation" certificate



Anti-PID products, passing TÜV SÜD system voltage durability test



Tested and certified according to newest IEC standard
IEC61730-1:2016 IEC61215-1:2016
IEC61730-2:2016 IEC61215-2:2016



MANAGEMENT SYSTEM

ISO 9001: Quality management system
ISO 14001: Standard for environmental management system
OHSAS 18001: International standard for occupational health and safety assessment system

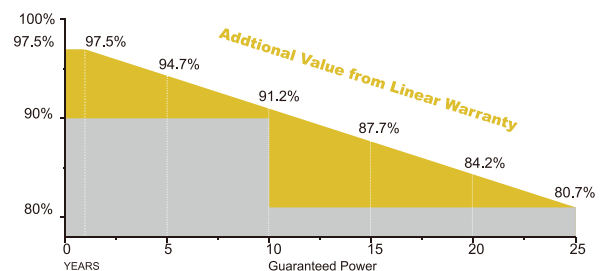
INSURANCE



PRODUCT CERTIFICATES



WARRANTY



Guarantee on product material and workmanship



linear power output warranty

-H ET-P672XXXZY: Maximum System Voltage 1000 VDC.
ET-P672HXXXZY: Maximum System Voltage 1500 VDC.

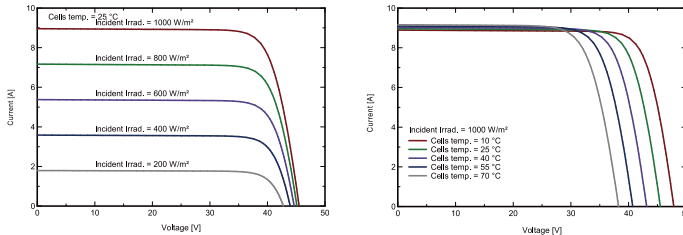
ET-P672(H) SERIES 6 INCH 72 CELLS

Electrical Characteristics

Module Type	ET-P672325WW/WB ET-P672H325WW/WB		ET-P672330WW/WB ET-P672H330WW/WB		ET-P672335WW/WB ET-P672H335WW/WB		ET-P672340WW/WB ET-P672H340WW/WB	
	STC	NOCT	STC	NOCT	STC	NOCT	STC	NOCT
Maximum Power -P _{mp} (W)	325	240	330	244	335	244	340	252
Open Circuit Voltage -V _{oc} (V)	45.7	42.2	45.9	42.4	45.9	42.4	46.4	42.8
Short Circuit Current -I _{sc} (A)	9.03	7.30	9.12	7.37	9.12	7.37	9.30	7.49
Maximum Power Voltage -V _{mp} (V)	37.3	34.8	37.5	35.0	37.5	35.0	37.9	35.5
Maximum Power Current -I _{mp} (A)	8.72	6.89	8.80	6.98	8.80	6.98	8.98	7.10
Module Efficiency STC-η _m (%)	16.75/16.63		17.01/16.89		17.01/16.89		17.52/17.40	
Power Tolerance (W)	(0,+4.99)							
Maximum System Voltage (V)	1000VDC / 1500VDC							
Maximum Series Fuse Rating (A)	20A							
Pmax Temperature Coefficient	-0.39 %/°C							
Voc Temperature Coefficient	-0.30 %/°C							
Isc Temperature Coefficient	+0.05 %/°C							
Operating Temperature	-40~+85 °C							
Nominal Operating Cell Temperature	45±2 °C							

STC: Irradiance 1000 W/m² module temperature 25°C AM=1.5
NOCT: Irradiance 800 W/m² ambient temperature 20°C wind speed :1m/s Power measurement tolerance: +/-3%

Curve



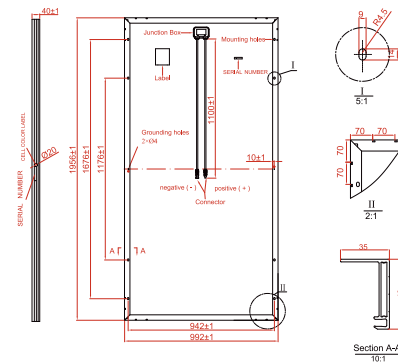
Mechanical Specifications

External Dimension	1956 x 992 x 40mm/1970 x 992 x 40mm
Weight	21.5kg/22.0kg
Solar Cells	poly crystalline 156.75 x 156.75 mm (72pcs)
Front Glass	3.2 mm AR coating tempered glass, low iron
Frame	Anodized aluminium alloy
Junction Box	IP67
Output Cables	4.0 mm ² , cable length:1100 mm
Connector	MC4 Compatible
Mechanical Load	5400 Pa

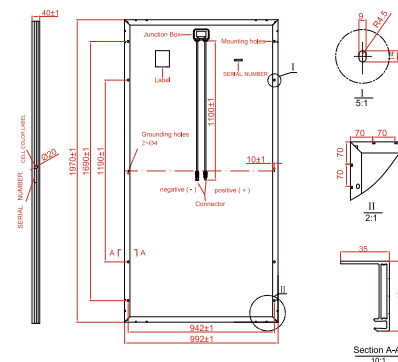
Packing Configuration

External Dimension	1956 x 992 x 40mm/1970 x 992 x 40mm	
Container	20'GP	40'GP
Pieces per Pallet	27	27
Pallets per Container	10	22
Pieces per Container	270	594

Technical drawing(ET-P672XXXZY)



Technical drawing(ET-P672HXXXZY)



* All Dimensions in mm.
* The above drawing is a graphical representation of the product.
For engineering quality drawings please contact ET Solar.